



## WP-8129-CE7/WP-8429-CE7/WP-8829-CE7

InduSoft WP-8000-CE7

### Features

- InduSoft runtime inside
- Cortex-A8 CPU, 1GHz CPU
- Windows CE 7.0 Professional
- Hard Real-Time Capability
- 64-bit Hardware Serial Number for Software Protection
- I/O Expansion Slots
- Built in two 10/100/1000M Ethernet Ports
- Redundant Power Input
- Operating Temperature: -25 ~ +75 °C



### Introduction

The **WP-8x29-CE7** series is the new generation Windows CE 7.0 based PAC with InduSoft Runtime pre-installed of ICP DAS. InduSoft is the most powerful, integrated collection of e-automation development tool that includes all the building blocks needed to develop HMI (Human Machine Interface) and SCADA (Supervisory Control and Data Acquisition system).

Each WP-8x29-CE7 is equipped with a Cortex-A8 (1.0 GHz) CPU running a Windows CE 7.0 operating system, a variant of input/output ports (VGA, USB, Ethernet, RS-232/485), and 1/4/8 expansion I/O slots that can be used to integrate high performance I-8K (parallel-type) and I-87K (serial-type) series I/O modules.

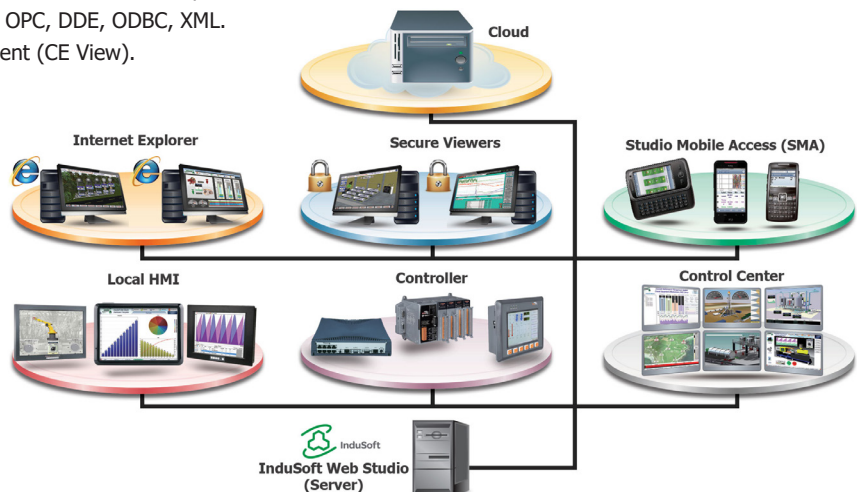
### InduSoft Web Studio

InduSoft Web Studio is a powerful, integrated collection of automation tools that includes all the building blocks needed to develop modern Human Machine Interfaces (HMI), Supervisory Control and Data Acquisition (SCADA) systems, and embedded instrumentation and control applications. InduSoft Web Studio supports all Windows runtime platforms, ranging from Windows CE, Windows XP, Windows XP Embedded, Vista, Windows 7 (32/64 bit), Windows 8 (32/64 bit), Windows 8.1 (32/64 bit), and Windows Server Editions, along with built-in support for local or remote (web) based visualization. InduSoft also conforms to industry standards such as Microsoft .NET, OPC, DDE, ODBC, XML, and ActiveX.

ICP DAS provides the InduSoft bundled driver to integrate InduSoft software and ICP DAS products (I-7000, I-8000, I-87K and CAN Series) for SCADA system. There are also OPC, DDE and ActiveX development toolkit provided to cooperate with InduSoft. Besides, the VxComm software of ICP DAS can be performed to link to Internet/Intranet modules in an easy way. And DCON Utility of ICP DAS can be used to configure network module for easy use and maintenance.

#### Features of InduSoft:

- Intuitive script language with more than 100 standard functions is provided.
- Conform to industry standards: Microsoft.NET, OPC, DDE, ODBC, XML.
- Full-Featured WinCE-based run-time environment (CE View).
- Dynamic library of symbols - customizable.
- ActiveX container (Windows NT/CE).
- Automatic e-mail (SMTP) and dial-up connection interface supported.
- Provide multi-level security for applications, including the Internet and Intranet.

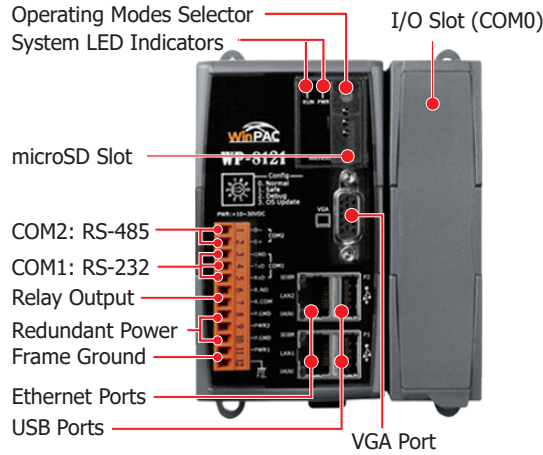


## System Specifications

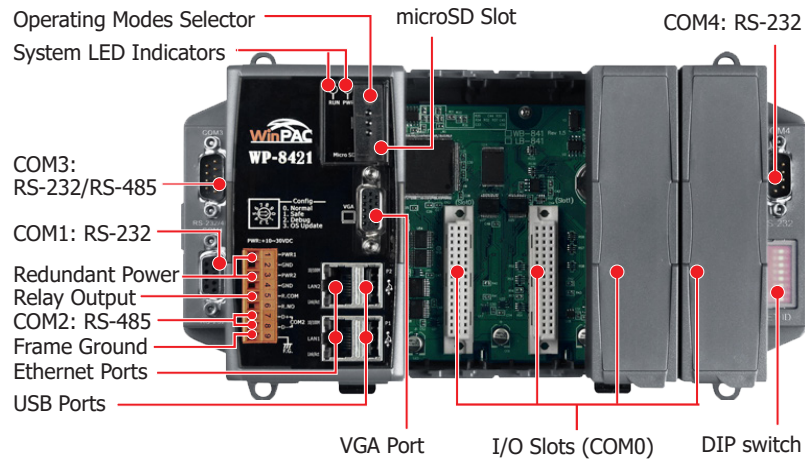
Model	WP-8129-CE7	WP-8429-CE7	WP-8829-CE7
<b>System Software</b>			
OS	Windows CE 7.0		
.Net Compact Framework	3.5		
Embedded Service	FTP server, Web server (supports VB script, JAVA script), Embedded SQL server		
SDK Provided	DII for VC, DII for Visual Studio.Net 2008		
Multilanguage Support	English, German, French, Spanish, Russian, Italian, Korean, Simplified Chinese, Traditional Chinese		
Preloaded Software	InduSoft Web Studio v8.1 Service Pack 3 Runtime		
<b>CPU Module</b>			
CPU	Cortex-A8 (32-bit and 1 GHz)		
SDRAM	512 MB DDR3		
MRAM	128 KB		
Flash	256 MB		
EEPROM	16 KB		
Expansion Flash Memory	microSD slot with a 4 GB microSD card (support up to 32 GB)		
RTC (Real Time Clock)	Provide seconds, minutes, hours, day of week/month, month and year, valid from 1980 to 2079		
64-bit Hardware Serial Number	Yes		
Dual Watchdog Timer	Yes		
Programmable LED Indicator	1		
Rotary Switch	Yes (0 to 9)		
DIP Switch	-	Yes (8 bits)	
<b>VGA &amp; Communication Ports</b>			
VGA Resolution	800 × 600, 1024 × 768		
Ethernet	RJ-45 x 2, 10/100/1000 Based-TX		
USB 2.0 (host)	2		
COM 0	Internal communication with the high profile I-87K series modules in slots		
COM 1	RS-232 (RxD, TxD and GND); Non-isolation		
COM 2	RS-485 (Data+, Data-);self-tuner ASIC inside; 3000 VDC isolated		
COM 3	RS-232/485 (RxD, TxD, CTS, RTS and GND for RS-232; Data+, Data- for RS-485); Non-isolation		
COM 4	RS-232 (RxD, TxD, CTS, RTS, DSR, DTR, CD, RI and GND); Non-isolation		
<b>I/O Expansion</b>			
I/O Expansion Slot	1	4	8
<b>Mechanical</b>			
Dimension (W x L x H)	95 mm x 132 mm x 111 mm	231 mm x 132 mm x 111 mm	355 mm x 132 mm x 111 mm
Installation	DIN-Rail or Wall Mounting		
<b>Environmental</b>			
Operating Temperature	-25 ~ +75°C		
Storage Temperature	-30 ~ +80°C		
Ambient Relative Humidity	10 to 90% RH (non-condensing)		
<b>Power</b>			
Input Range	+10 to +30 VDC		
Isolation	1 kV		
Redundant Power Input	Yes, with one power relay (1 A @ 24 VDC) for alarm		
Capacity	1.0A, 5V supply to CPU and backplane, 0.6A, 5V supply to I/O expansion slots, total 8 W	1.1A, 5V supply to CPU and backplane, 4.9A, 5V supply to I/O expansion slots, total 30 W	1.2A, 5V supply to CPU and backplane, 4.8A, 5V supply to I/O expansion slots, total 30 W
Consumption	7.3 W (0.3 A @ 24 VDC)	9.1 W (0.38 A @ 24 VDC)	9.6 W (0.4 A @ 24 VDC)

## Appearance

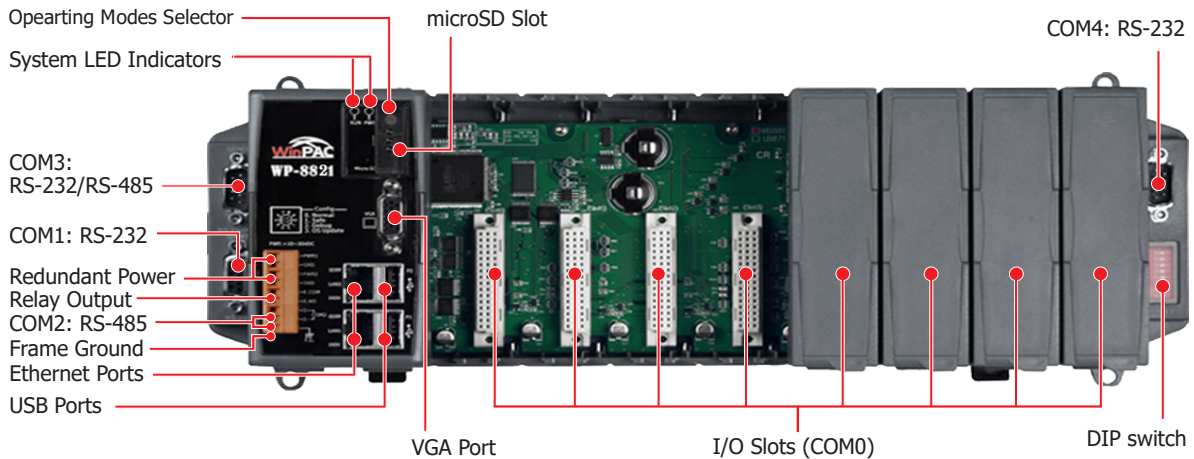
### WP-8129-CE7



### WP-8429-CE7

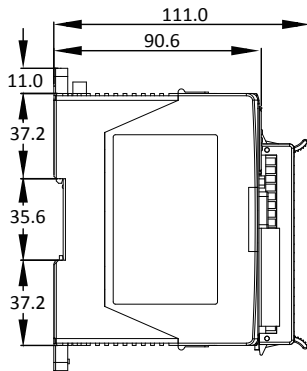


### WP-8829-CE7



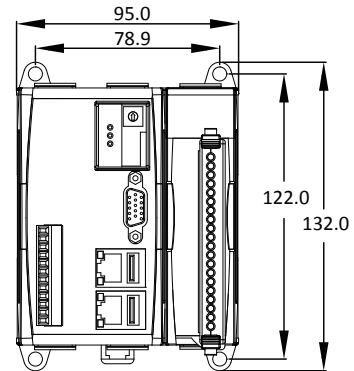
## ■ Dimensions (Units: mm)

**WP-8129-CE7 / WP-8429-CE7 / WP-8829-CE7**



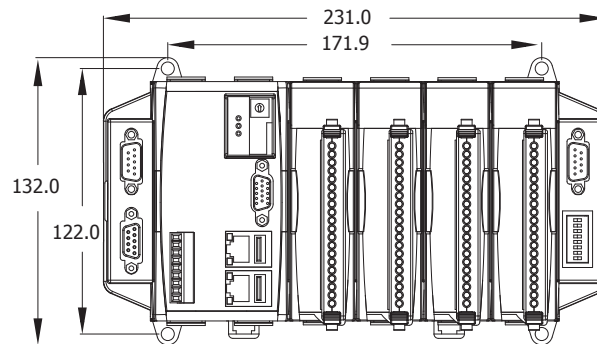
Left Side View

**WP-8129-CE7**



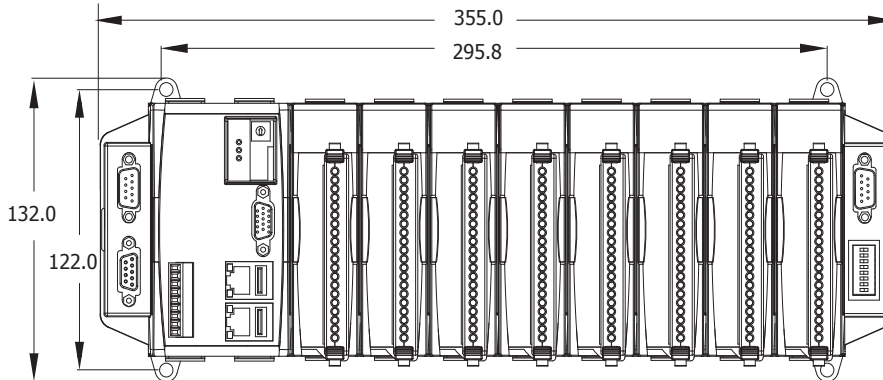
Front View

**WP-8429-CE7**



Front View

**WP-8829-CE7**



Front View

## ■ Ordering Information

InduSoft Default Runtime License: 300 Tags, Unlimited Drivers	
<b>WP-8129-CE7 CR</b>	InduSoft Based WinPAC-8000-CE7 with 1 I/O Slot (RoHS)
<b>WP-8429-CE7 CR</b>	InduSoft Based WinPAC-8000-CE7 with 4 I/O Slots (RoHS)
<b>WP-8829-CE7 CR</b>	InduSoft Based WinPAC-8000-CE7 with 8 I/O Slots (RoHS)
InduSoft Default Runtime License: 1500 Tags, Unlimited Drivers	
<b>WP-8129-CE7-1500 CR</b>	InduSoft Based WinPAC-8000-CE7 with 1 I/O Slot (RoHS)
<b>WP-8429-CE7-1500 CR</b>	InduSoft Based WinPAC-8000-CE7 with 4 I/O Slots (RoHS)
<b>WP-8829-CE7-1500 CR</b>	InduSoft Based WinPAC-8000-CE7 with 8 I/O Slots (RoHS)